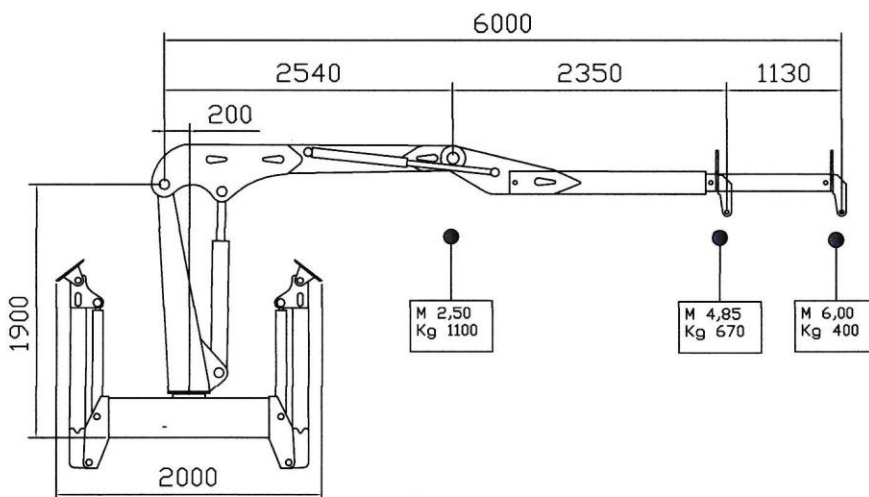
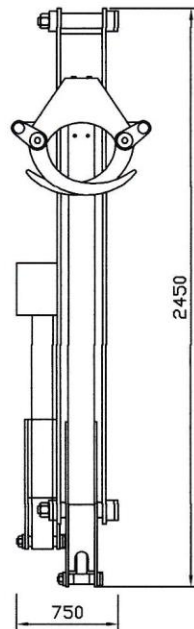
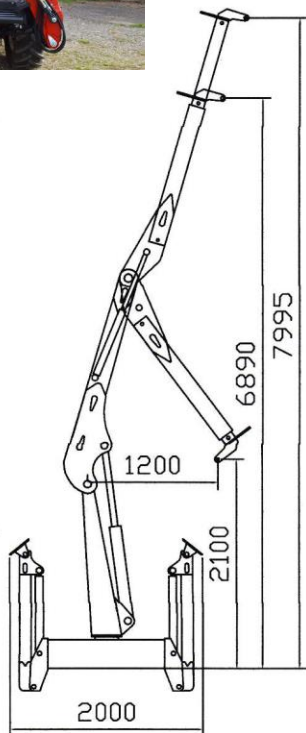


WILDTECH

KRANE UND MASCHINEN



TECHNICAL FEATURES DG320F



TECHNICAL FEATURES	DG320 F
Maximum moment	KNm 35
Maximum extension	m 6,0
Moment on the axis rotation	KNm 12
Maximum gradient excideent	20°
Angle of rotation	400°
Recommend capacity of pump	lt/min 35
Pression of work	bar 180
Weight (excluded terminal tools)	Kg 1000